

8 7 6 5 4 3 2 1

D

C

B

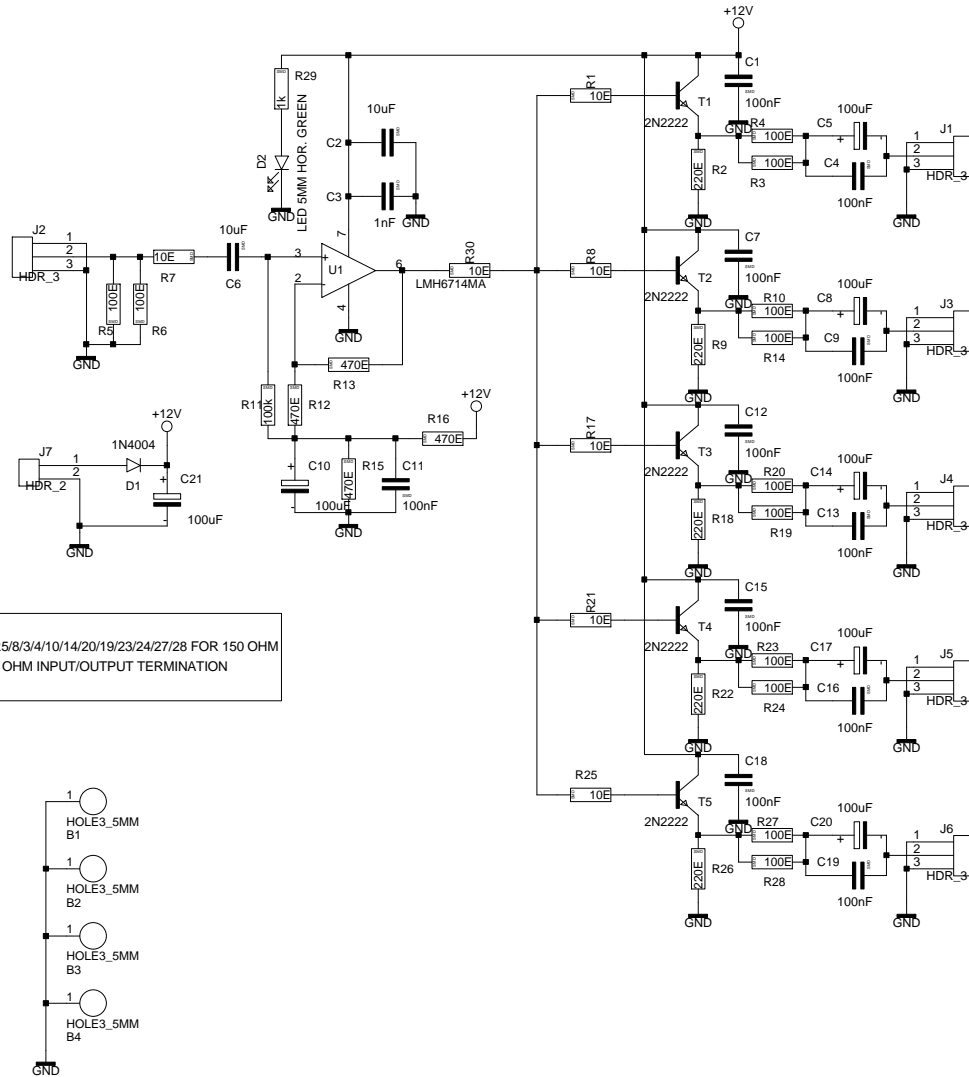
A

D

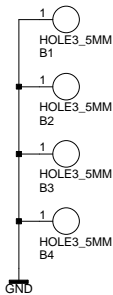
C

B

A



CHANGE R5/R8/R3/R4/R10/R14/R20/R19/R23/R24/R27/R28 FOR 150 OHM TO GET 75 OHM INPUT/OUTPUT TERMINATION



REV: 1	DATE: 23-03-2023	ENG: HP
PROJECT: SPLITTER_5		
COMPANY: PELICE		
ADDRESS: HAARLEM		
CITY: HAARLEM		
COUNTRY: HOLLAND		
INITIAL	07-10-2022	PAGE: 1 OF: 1