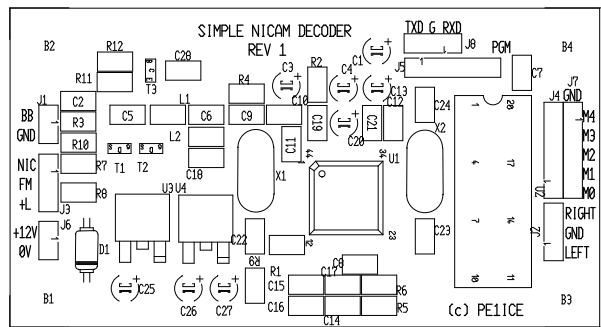




NDT SCAP BV
PCB Design



Simple Nicam Decoder_rev1, Silkscreen (Oct. 13, 2019) (11.51) (PCB) SCALE: 100% ROTATED
Drill Ref Pnt: 0.000, 0.000 (inch)